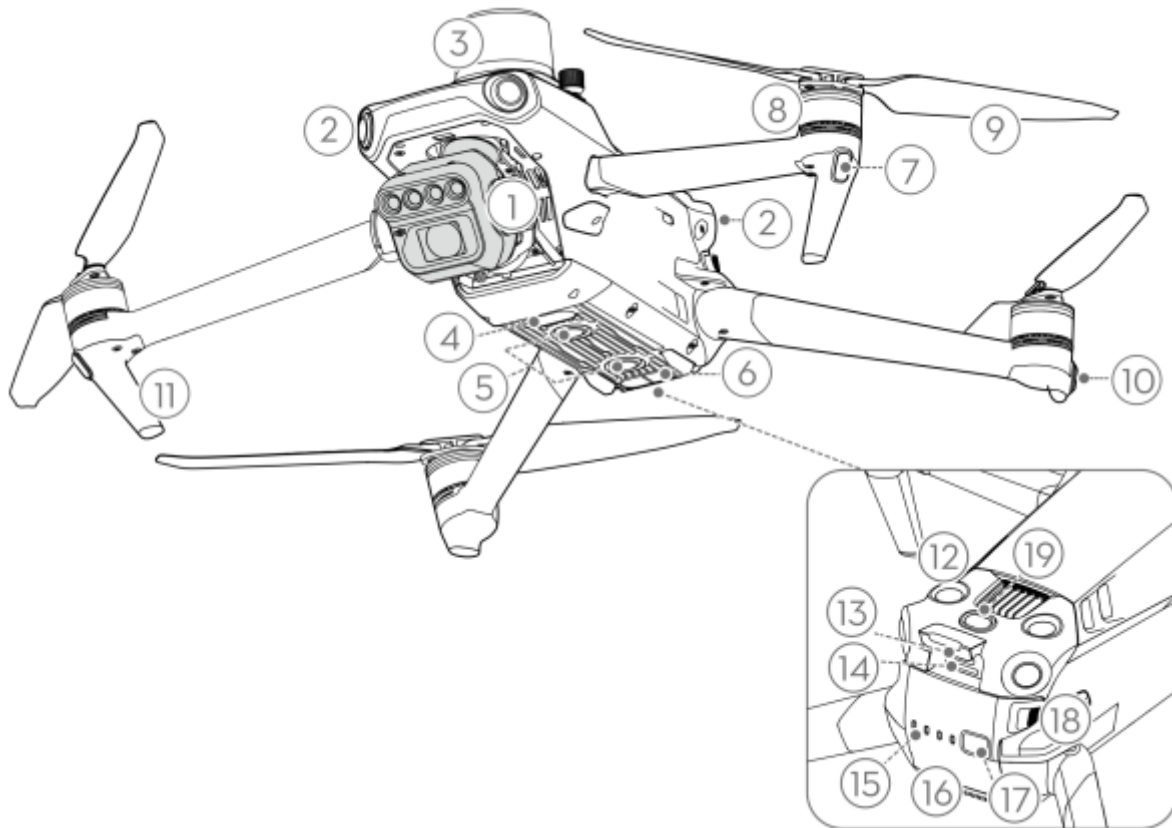


DJI Mavic 3M



1. Gimbal and Camera
2. Horizontal Omnidirectional Vision System
3. RTK Module (PSDK port)
4. Auxiliary Light
5. Downward Vision System
6. Infrared Sensing System
7. Front LEDS
8. Motors
9. Propellers
10. Aircraft Status Indicator
11. Landing Gears (Built-in antennas)
12. Upward Vision System
13. USB-C Port
14. Camera microSD Card Slot
15. Battery Level LEDs
16. Intelligent Flight Battery
17. Power Button
18. Battery Buckles
19. Spectral Sunlight Sensor

Last update: 2024/09/08 16:32 colmayor:drone-workshop:dji-mavic-3m <https://wiki.eolab.de/doku.php?id=colmayor:drone-workshop:dji-mavic-3m&rev=1725805963>

From:
<https://wiki.eolab.de/> - **HSRW EOLab Wiki**

Permanent link:
<https://wiki.eolab.de/doku.php?id=colmayor:drone-workshop:dji-mavic-3m&rev=1725805963>

Last update: **2024/09/08 16:32**

