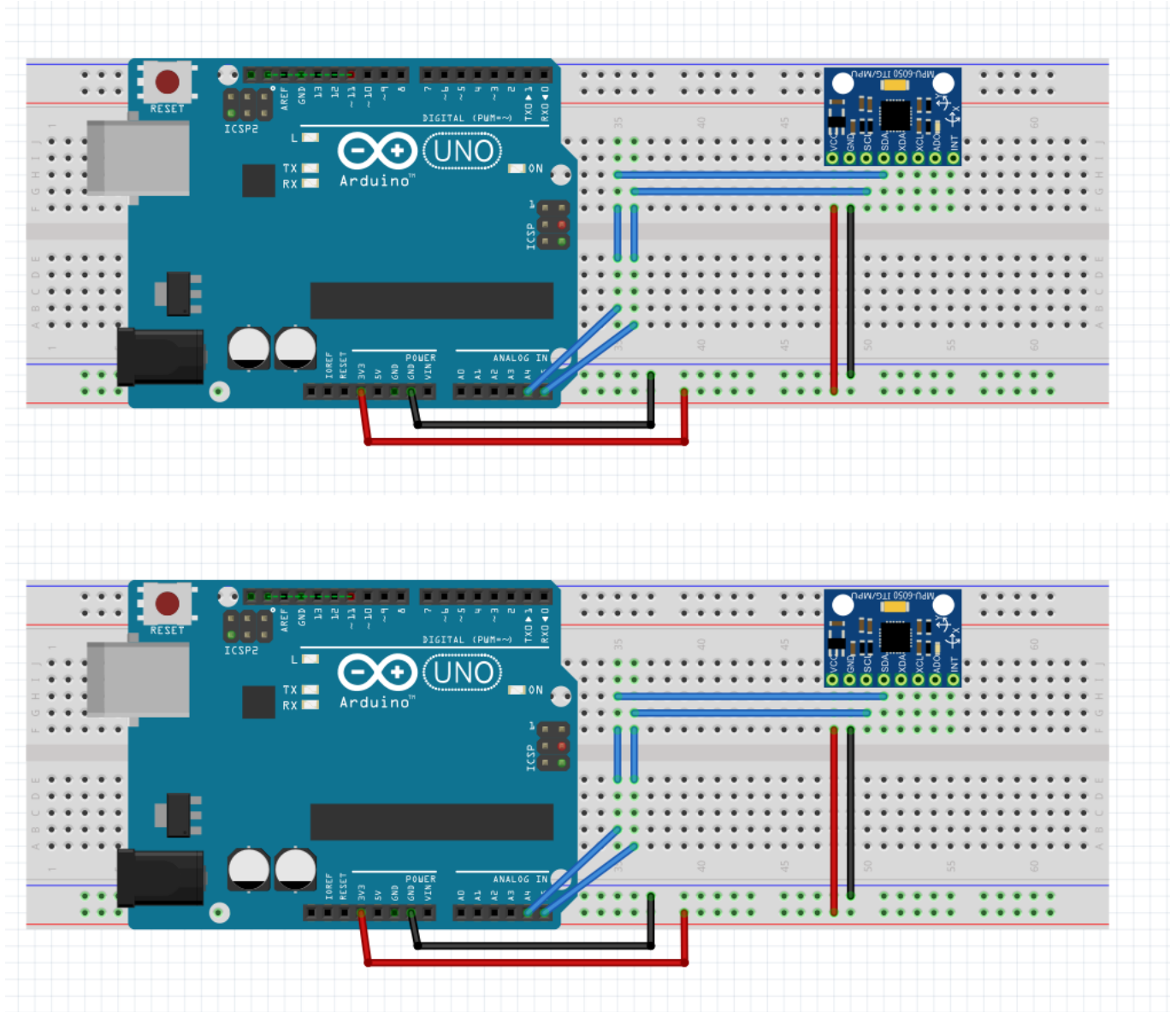


# Sensors used by Group Z

## Vibration Sensor

The GY-521 module is breakout board with a [MPU6050](#) accelerometer / gyroscope.



From:  
<https://wiki.eolab.de/> - HSRW EOLab Wiki

Permanent link:  
[https://wiki.eolab.de/doku.php?id=user:group\\_z:sensors](https://wiki.eolab.de/doku.php?id=user:group_z:sensors)

Last update: **2021/08/24 17:35**

