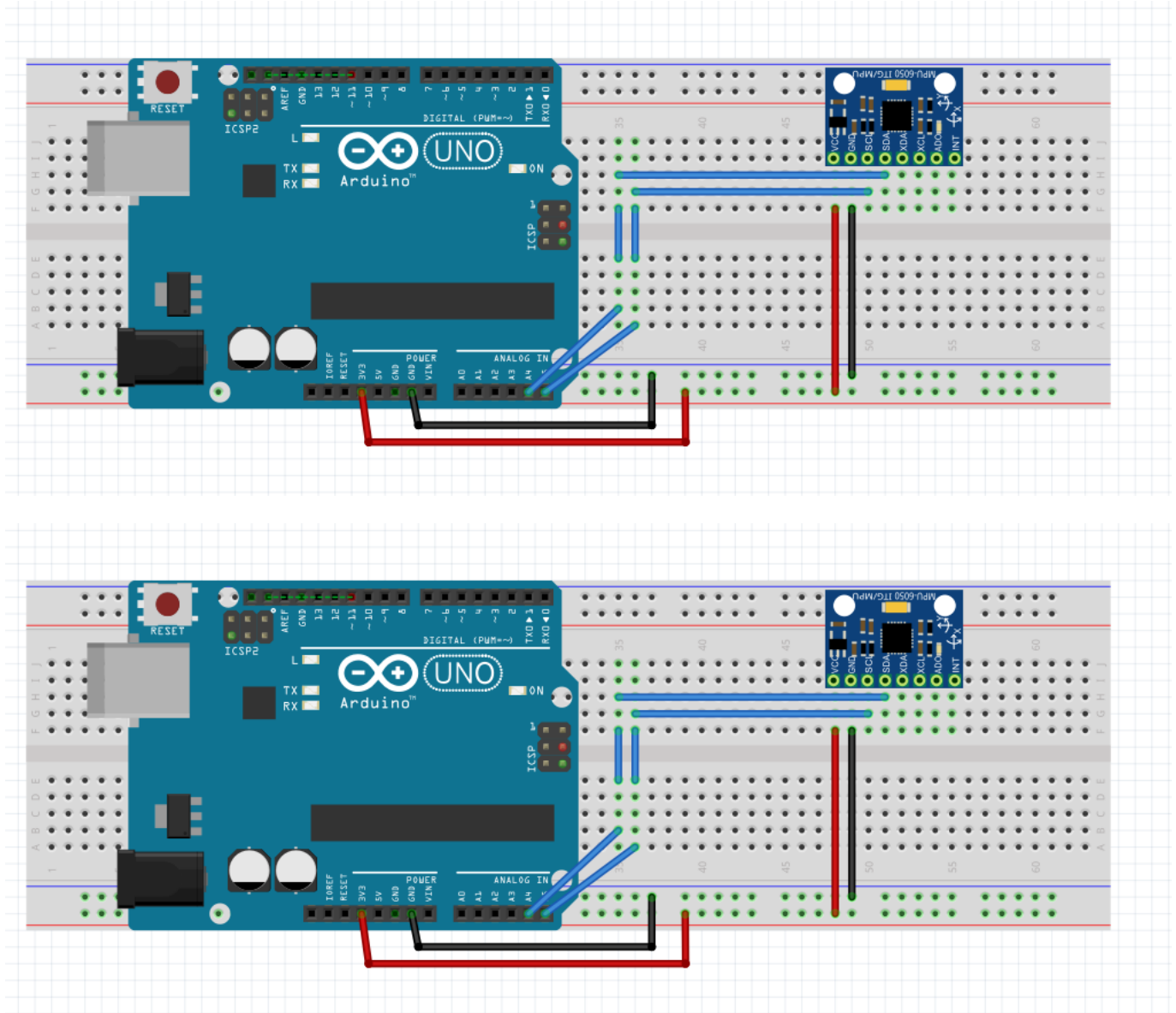


Sensors used by Group Z

Vibration Sensor

The GY-521 module is breakout board with a [MPU6050](#) accelerometer / gyroscope.



From:
<https://wiki.eolab.de/> - HSRW EOLab Wiki

Permanent link:
https://wiki.eolab.de/doku.php?id=user:group_z:sensors&rev=1592914155

Last update: 2021/08/24 17:34

