

OS UHF Android Reader

CF800



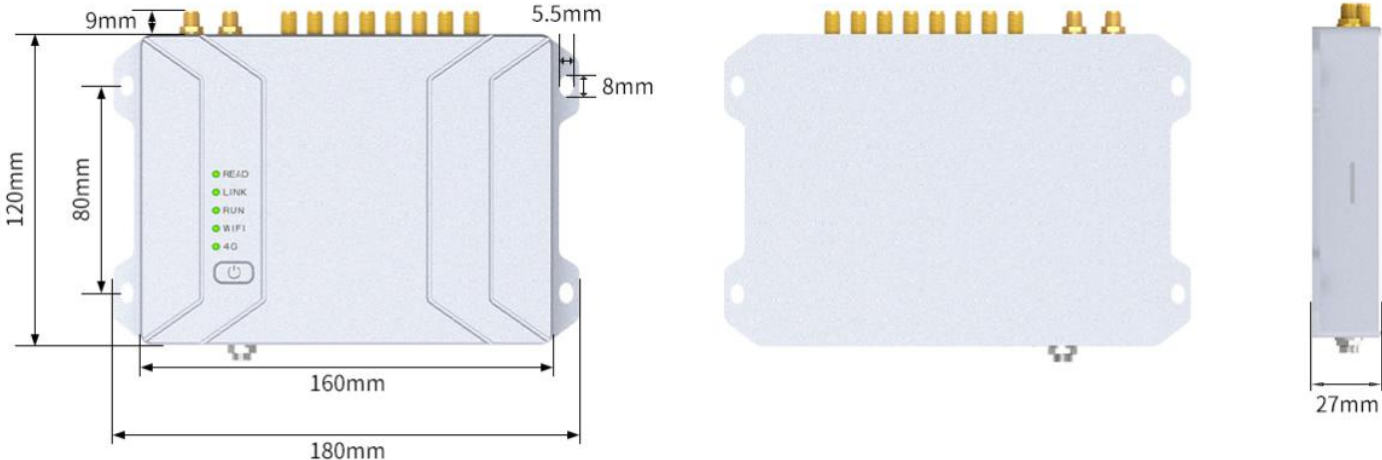
Characteristic

- Impinj E710 chip
 - The maximum reading speed can reach 800 tags per second
 - Support RSSI to identify tag signal distance
 - Support multi-antenna anti-collision polling and inventory
 - Support multiple language development, such as c#, java, etc.
 - Applications: warehouse management, forklift management, asset tracking, laundry management, smart cabinets, garbage management, etc.
-

Product Specifications

RFID Technical Parameters		Data Communication	
Chip solution	Impinj E710 chip	Antenna port	8 ↑ SMA-K female
Frequency	902~928MHz (US) 865~868MHz (EU)	Communication	RJ45, 2 ↑ USB3.0 Type A, support USB Host (support OTG) , RS232/ RS485
Protocol	ISO18000-6C (EPC GEN2)	Power supply	Supports DC 9-30V input, default DC 24V input
RF output power	0dbm—33dbm(adjustable)	General I/O	2 inputs, 2 outputs, optocoupler isolation (terminal)
Read speed	800pcs/s	Management protocol	HDMI Type A, supports 1080p HD video output
Read distance	0-25M	Processor	Quad-core Cortex-A55 Main frequency 2.0GHz
Receiver sensitivity limit	-88 dBm	Memory	2 + 16GB
Physical parameters		Operating system	Android 12.0
Shell material	Die-cast aluminum	Firmware upgrade	Support local USB upgrade
Protection level	IP53	Network service	4G: Europe by default, optional for China, America, etc.
Dimensions	180*129*27mm	WIFI	2.4G/5G dual-band, support 802.11 a/b/g/n/ac/d/e/h/i/k/r/v, IPV4, IPV6
Weight	600g	Development Environment	
Working environment		Firmware version	Support online upgrade
Operating temperature	-20°C-65°C	SDK	Demo software, API, examples, user manuals
Storage temperature	-40°C-80°C	Host Application	.Net、 C and Java EMDK
Humidity	5%-95% (No condensation)	Embedded Applications	C and Java SDK

Details display


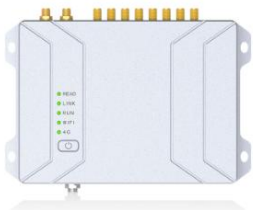



DC Power Supply Definition		
Serial number	Signal	content
1	PWR	+24V DC
2	CND	Grounding

GPIO wiring definition		
Serial number	Signal	content
1	RS232-RXD	Device RXD
2	GND	Signal GND

3	RS232-TXD	Device TXD
4	GND	GND
5	DC+	Power output
6	DC-	Power ground
7	GPO-1	GPIO output 1
8	GPO-2	GPIO output 2
9	GPIO GND	Signal ground
10	GPI-1	GPIO input 1
11	GPI-2	GPIO input 2
12	GPIO GND	Signal ground

Related Products

Image			
Model	CF400	CF800	CF801
Chip solution	Impinj E710 chip		
Output RF power	0dbm ~33dbm (adjustable)		
Reading speed	800pcs/s		
Reading distance	0~25 meters (depending on antenna & tag & application environment)		
Built-in system	Android 12.0	Android 12.0	Linux 4.4
Antenna port	4个 SMA female	8个 SMA female	8 RP TNC female