

EVEN UHF fixed reader

CF811



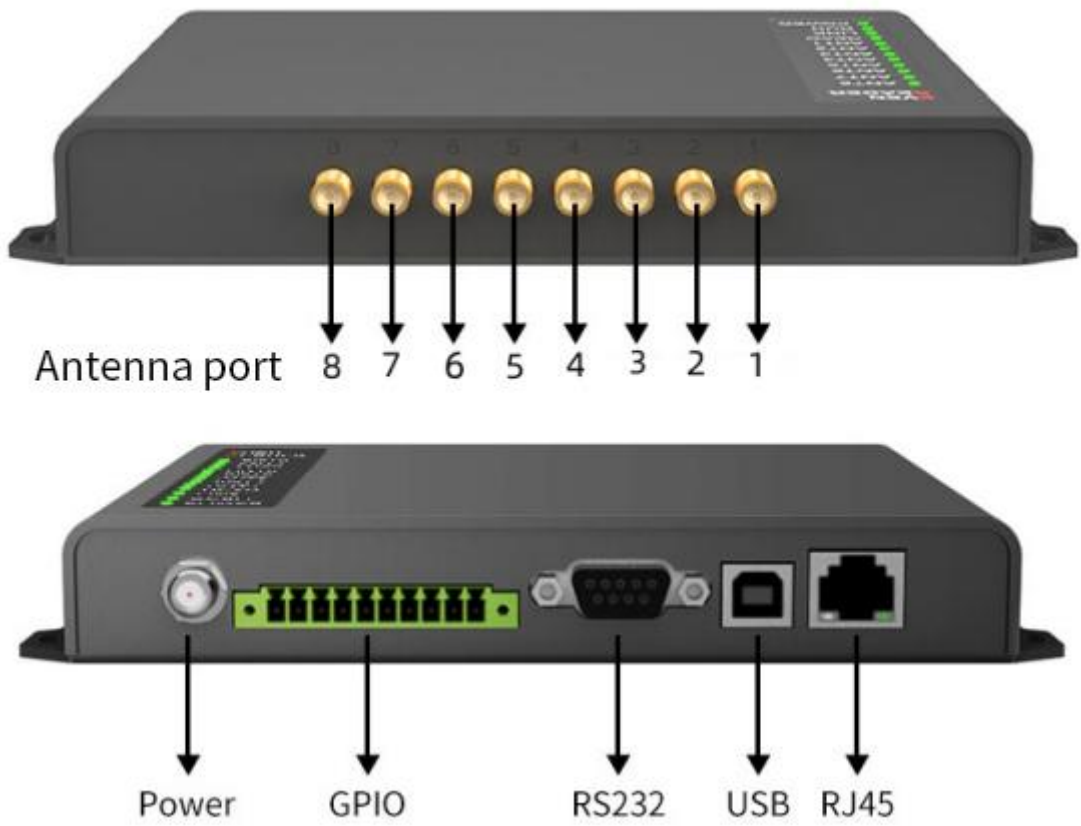
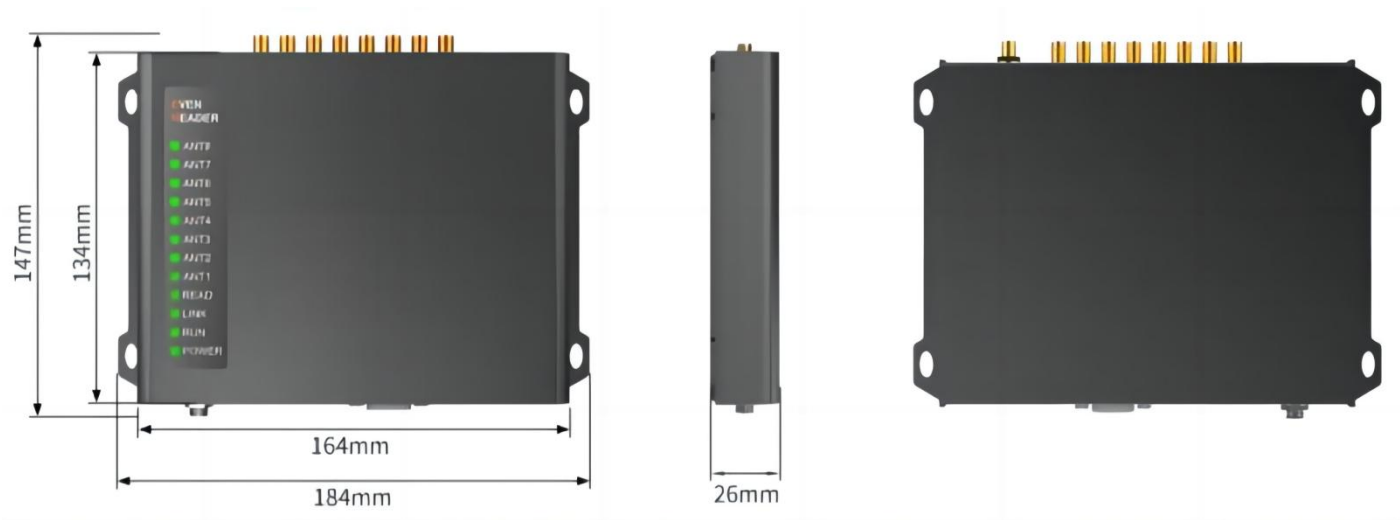
Characteristic

- Reading speed up to 200 tags per second
 - Support RSSI identification tag signal distance
 - Supports multi-antenna anti-collision polling and inventory
 - Support multiple languages to develop C#, Delphi, java, Python, VB and other languages
 - Applications: warehouse management, production control, asset tracking, laundry management, smart cabinets, waste management, etc.
-

Product specifications

RFID technical parameters		Data communication	
Frequency	902~928MHz (US) 865~868MHz (EU)	Standard interface	USB、RS232、RS485、TCP/IP
Protocol	ISO18000-6C (EPC GEN2)	Optional interface	POE (Mode A/B af), WiFi
RF output power	0dbm—33dbm(adjustable)	GPIO interface	2 sets of GPI & 2 sets of GPO
Reading speed	200pcs/s	Antenna port	8 SMA female headers
Data cache	600pcs @ 128bits EPC	power supply	12V 2A
Reading distance	0—15M	Current consumption	0.5~1.2A
Anti-collision	Quick polling and inventory of multiple antenna ports	Development environment	
Operating mode	Active mode Answer mode	SDK	Demo software, API, examples, user manual
RSSI	support	Development language	C#, Delphi, java, Python, VB and other languages
Physical parameters		Firmware version	Support online upgrade
Material	Sheet metal + oxidation spray paint	Working environment	
size	147*184*26mm	IP protection level	IP55
net weight	0.6kg	Operating temperature	-10-+60°C
Package Size	200*255*100mm	Storage temperature	-20-+75°C
Package weight	1.3kg		

Detailed display




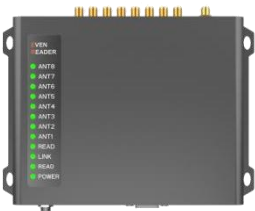
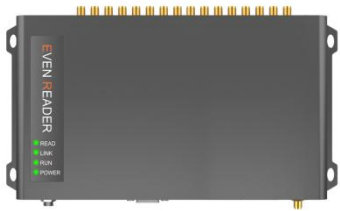
GPIO wiring definition		
serial number	Signal	Content
1	COM1	Relay 1-common terminal

2	NO1	Relay 1-Normally open
3	COM2	Relay 2-common terminal
4	NO2	Relay 2-Normally open
5	GND	ground
6	GPI-1	trigger 1
7	GPI-2	Trigger 2
8	GND	ground
9	A+	RS485 data 1 (D+)
10	B+	RS485 data 0 (D-)

RS232 D89 pin definition

serial number	Signal	Content
1	NC	reserve
2	RXD	RS232 data input
3	TXD	RS232 data output
4	NC	reserve
5	GND	ground
6	NC	reserve
7	NC	reserve
8	NC	reserve
9	NC	reserve

Related Products

Picture			
model	CF810	CF811	CF812
Output RF power	0dbm ~33dbm (adjustable)		
Reading speed	200pcs/s		
Reading distance	0~15 meters (depending on antenna & label & application environment)		
Antenna port	4 TNC RP female	8 SMA female	16 SMA female